

Data sheet – VITROKit Renew M5

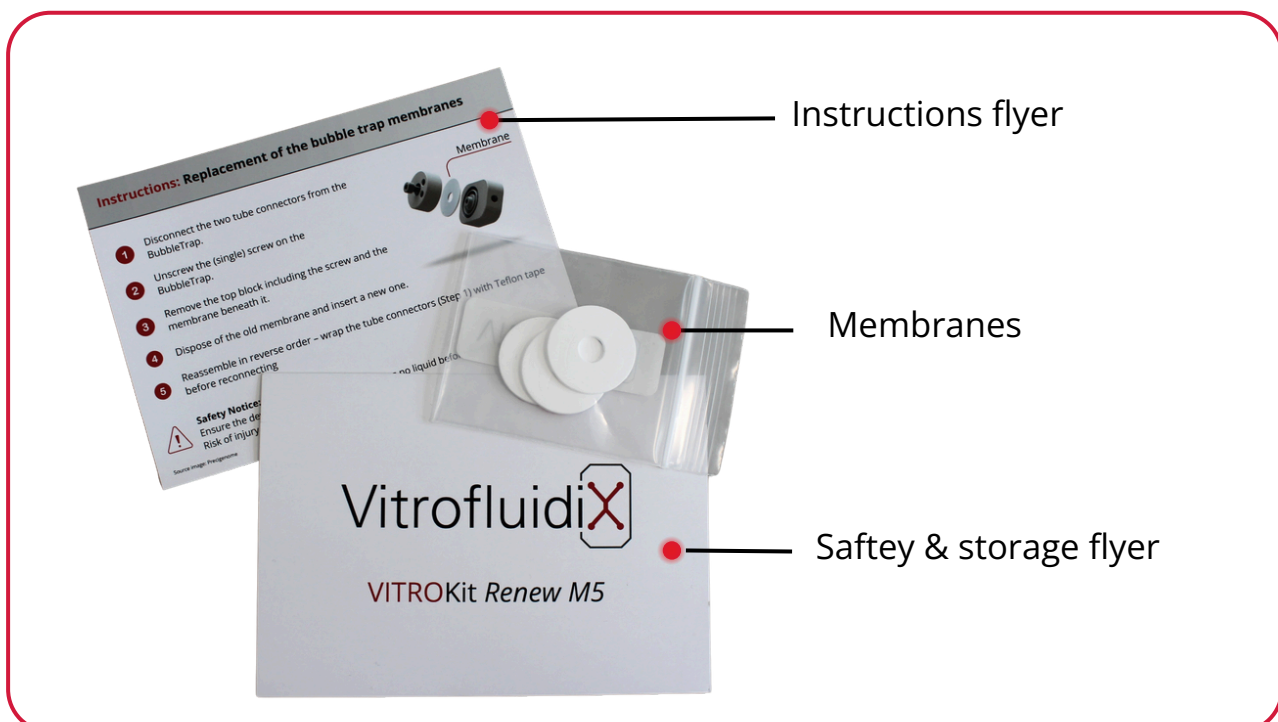
1 Product identification

Product name	VITROKit Renew M5
Product code / item number	VK-RM5
Version / revision	v1.0
Manufacturer / distributor:	VitrofluidiX GmbH

2 Product description

The VITROKit Renew M5 is a consumable kit designed for the regular replacement of membranes used in bubble traps within VitrofluidiX VitroFlow systems. The membranes ensure reliable removal of gas bubbles from liquid flow streams by allowing gas to pass through while preventing liquid leakage. This enables stable flow conditions and protects sensitive microfluidic processes.

The kit is intended as a replenishment component for continuous system operation.



Component name	Quantity
Membranes	5
Instructions flyer	1
Safety & storage flyer	1

3 Intended use

This product is not a medical device.

The product is intended for:

- technical/internal laboratory use
- operation and maintenance of VitrofluidiX VitroFlow systems
- replacement of membranes in bubble traps integrated in VitroFlow setups

The product may only be used:

- within VitrofluidiX systems
- for the technical purpose described

4 Materials & composition

Component	Material	Special features
Membranes	Microporous hydrophobic PTFE	Gas-permeable, liquid barrier
Packaging	Paper	Clean and protected storage
Flyers	Paper	User guidance & safety instructions

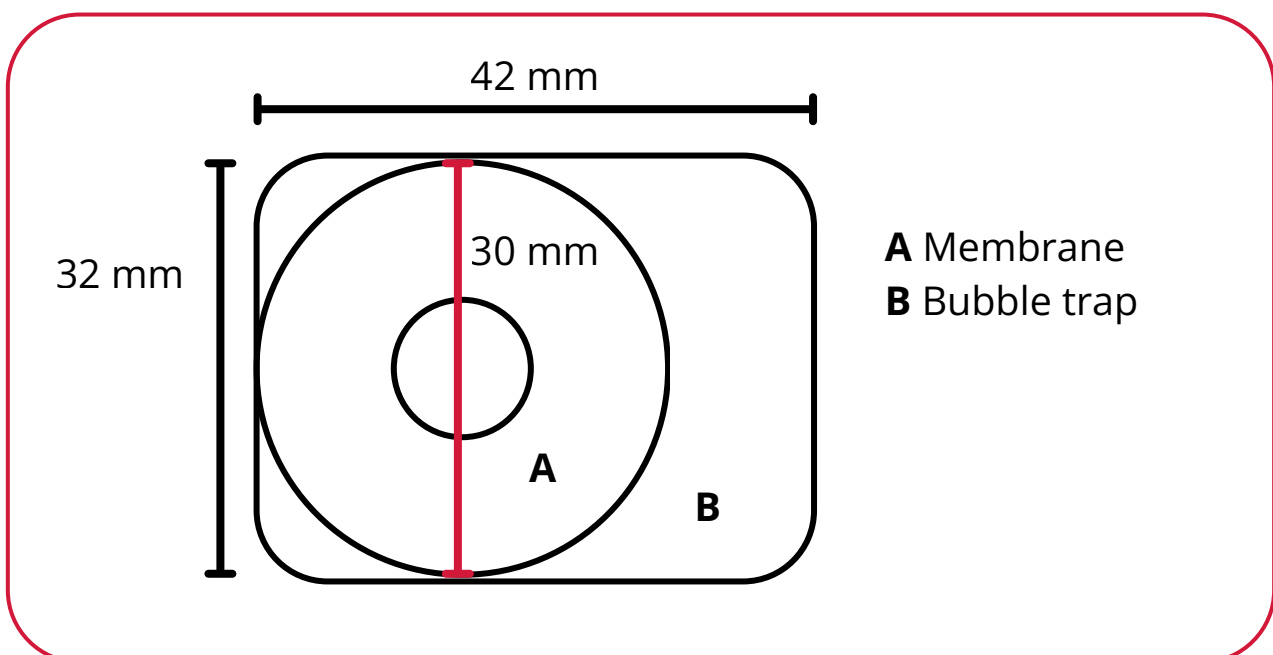


Additional information:

- **Lifetime and performance strongly depend on:** used media composition, cleaning protocols, drug compounds / biological reagents
- **Aggressive or complex substances may lead to:** reduced membrane performance, faster degradation need for more frequent replacement

5 Technical informations

Kit-level	
Typical usage duration	approx. 1 month (depending on application)
Number of membranes	5
Membrane	
Membrane type	Hydrophobic microporous membrane
Pore size	10 µm
Flow rate (with bubble trap)	Up to 60ml/min
Function	Gas-permeable, liquid barrier for bubble trap
Application	Replacement membrane for bubble trap
Outer Diameter	30 mm



6 Safety instructions

- Only use the product for its intended purpose
- Read the instructions flyer before use
- Handle membranes carefully to avoid contamination or damage
- Improper use may result in reduced performance or malfunction of the bubble trap
- No warranty in case of misuse or modification

7 Storage & transport

- Store at room temperature
- Store in a dry place away from direct sunlight
- Keep in original packaging until use

➡ For details, see the Safety & Storage Flyer and Handling instructions.

8 Handling & operation

- The product must be handled in accordance with the provided instructions.
- Membranes are installed in the bubble trap unit before operation
- Regular replacement is required to ensure proper gas removal and stable flow conditions
- Replacement interval depends on: media composition, cleaning procedures, drug compounds / biological components, overall system usage
- More frequent replacement may be required for demanding applications

Reference:

- Operating instructions VitroFlow

9 Compatibility & regulatory status

- The product is intended for use with:

➡ VitrofluidiX VitroFlow systems

No guarantee of functionality when used with non-approved systems.

This product includes components sourced from qualified external suppliers.

These components are manufactured under certified quality management systems.

VitrofluidiX GmbH performs final product assembly, packaging, and quality control.

- Applicable law: General product safety law

10 Liability & responsibility

- VitrofluidiX GmbH accepts no liability for:
- Use outside the defined intended purpose
- Modification or misuse of components
- Combination with non-approved products



info@vitrofluidix.com



linkedin.com/company/vitrofluidix



vitrofluidix.com



Gottfried-Hagen-St. 60-62, 51105 Cologne